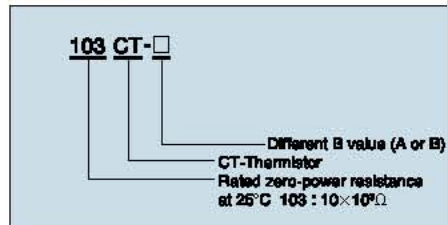


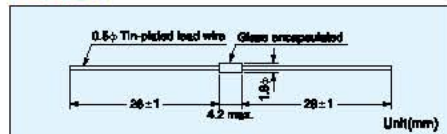
# CT THERMISTOR

The CT thermistor is a thermal sensor in a DO35 package. Similar to the BT thermistor, it is highly reliable and offers a wide operating range of  $-50^{\circ}\text{C}$  to  $(150^{\circ}\text{C})$   $250^{\circ}\text{C}$ . It is primarily used in home electric appliances and features a competitive price for full-automated manufacturing system.

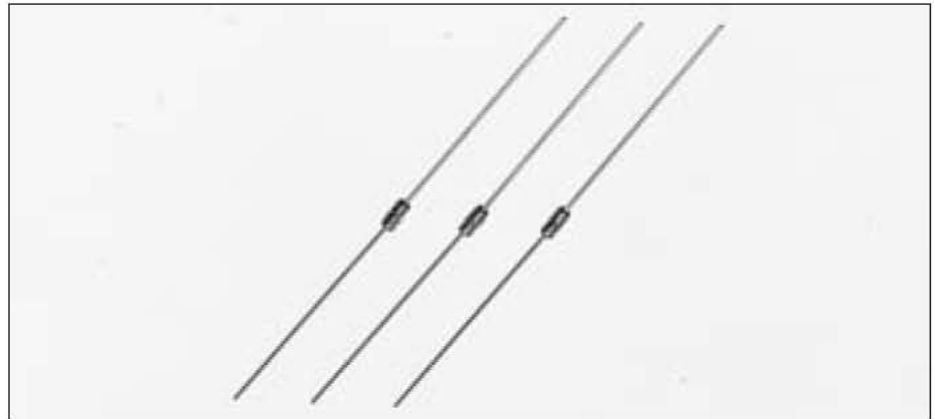
## Part number



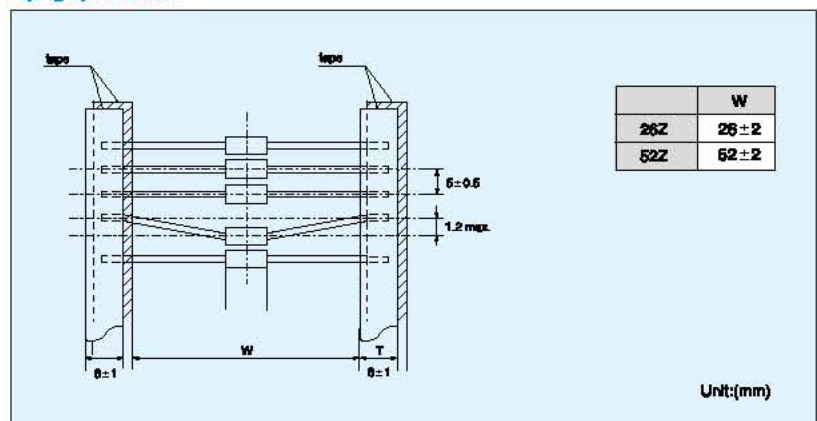
## Dimensions



To allow automatic insertion, this product can be taped.



## Taping Specification



## Specifications

Part No.	Rated zero-power resistance			temperature ( $^{\circ}\text{C}$ )	B value <sup>*2</sup>	Dissipation factor (mW/ $^{\circ}\text{C}$ ) Approx.	Thermal time constant(s) <sup>*3</sup> Approx.	Rated Electricity mW at $25^{\circ}\text{C}$	Category temp. range( $^{\circ}\text{C}$ )	Lead wire	Packing Method									
	temperature <sup>*1</sup> ( $^{\circ}\text{C}$ )	resistance	tolerance																	
252CT-4	25	2.50k $\Omega$	$\pm 5\%$	25/85	3670K $\pm 2\%$	2.1	10~20	10.5	-50~+250	Nickel plate	Individually packed									
512CT-4		5.10k $\Omega$			3200K $\pm 2\%$															
562CT-4		5.60k $\Omega$			3200K $\pm 2\%$															
912CT-4		8.10k $\Omega$			3270K $\pm 2\%$															
103CT-4		10.0k $\Omega$			3270K $\pm 2\%$															
119CT-4		11.0k $\Omega$			3270K $\pm 2\%$															
203CT-4		20.0k $\Omega$			3410K $\pm 2\%$															
473CT-4		47.0k $\Omega$			3610K $\pm 2\%$															
513CT-4		51.0k $\Omega$			3610K $\pm 2\%$															
563CT-4		58.0k $\Omega$			3610K $\pm 2\%$															
104CT-4		100k $\Omega$			3450K $\pm 2\%$															
204CT-4		200k $\Omega$			3500K $\pm 2\%$															
252CT-20218		0			7.881k $\Omega$							$\pm 3\%$	25/50	3745K $\pm 2\%$				-40~+150	Tin plate	52mm taping
103CT-11005		25			10.0k $\Omega$							$\pm 2\%$	25/50	3680K $\pm 2\%$				-30~+150		28mm taping
103CT-21048	25	10.0k $\Omega$	$\pm 3\%$	25/85	4100K $\pm 2\%$				-40~+150	Individual										
103CT-01008	25	10.0k $\Omega$	$\pm 5\%$	25/85	3900K $\pm 2\%$				-30~+150	28mm taping										
103CT-20217	0	30.0k $\Omega$	$\pm 3\%$	25/50	3434K $\pm 2\%$				-40~+150	52mm taping										
503CT-81027	50	18.727k $\Omega$	$\pm 2.5\%$	25/85	3692K $\pm 2\%$				-40~+150	28mm taping										
104CT-80113	25	100.0k $\Omega$	$\pm 5\%$	25/85	4070K $\pm 2\%$				-40~+150	52mm taping										
503CT-90083	85	5.911k $\Omega$	$\pm 3\%$	25/85	3900K $\pm 2\%$				-40~+250	Nickel plate	Individual									

\*1 Rated zero power resistance at each temperature.

\*2 B value : determined by rated zero-power resistance at each temperature.

\*3 Time when thermistor reaches 63.2% of the temperature difference. The value is measured in the air.