

# AP THERMISTOR

The AP Thermistor features higher accuracy and higher resistance to heat than our existing high-precision thermistor. AP Thermistor suits various types of application.

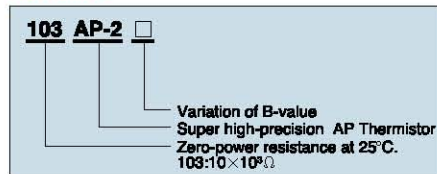
## Features

- Super high-precision : Tolerance on  $R_{25}$  and  $B_{25/85}$  is  $\pm 0.5\%$ .
- Narrow deviation in wide temperature range: Accurate temperature detecting with tolerance of  $\pm 0.5^\circ\text{C}$  in  $-60^\circ\text{C}$  to  $70^\circ\text{C}$ .
- High resistance to heat : Category temperature range is  $-60^\circ\text{C}\sim 150^\circ\text{C}$ .

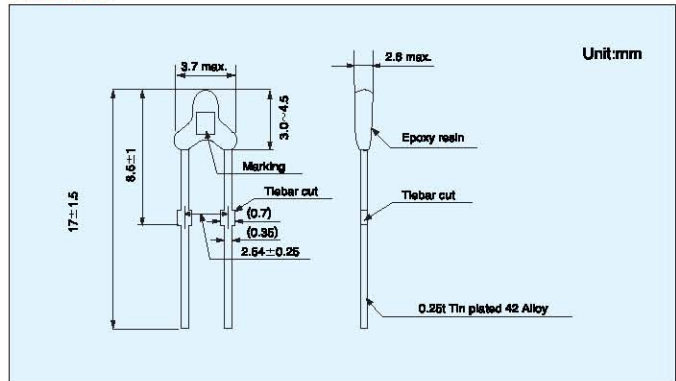
## Applications

Portable devices, Battery packs, Fan motor, Automobile, Office automation equipment, Electrical household appliances, Security devices, Thermometer, Measurement equipment, Temperature detecting, etc.

## Part number

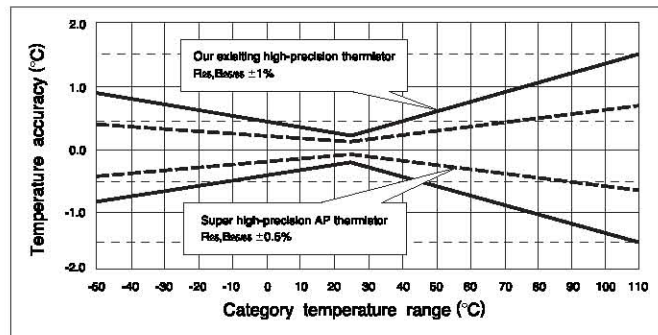


## Dimensions



This products complies with RoHS

## Temperature accuracy



## Specifications

Part No.	$R_{25}^{*1}$	B value <sup>*2</sup>	Dissipation factor (mW/ $^\circ\text{C}$ ) Approx.	Thermal time constant(s) <sup>*3</sup> Approx.	Rated maximum power dissipation(at $25^\circ\text{C}$ )(mW)	Category temperature range( $^\circ\text{C}$ )
202AP-2	2.00k $\Omega$	3976K	1.2	15	6	-60~+150
232AP-2	2.252k $\Omega$	3976K				
502AP-2	5.00k $\Omega$	3976K				
103AP-2	10.0k $\Omega$	3435K				
103AP-2-A		3976K				
203AP-2	20.0k $\Omega$	3976K				
503AP-2	50.0k $\Omega$	4220K				
104AP-2	100k $\Omega$	4261K				
204AP-2	200k $\Omega$	4470K				

\*1  $R_{25}$  : Zero-power resistance value at  $25^\circ\text{C}$ .

\*2 B-value : Calculated from the zero-power resistance values measured at  $25^\circ\text{C}$  and  $85^\circ\text{C}$ .

\*3 Time when Thermistor temperature reaches 63.2% of the temperature difference. The value is measured in still air.