

THERMAL PRINTER PAPER HOLDER

FTP-040HF/HS Holder Series

■ FEATURES

- This is a paper holder for 2-inch, 3-inch and 4-inch thermal printers, dedicated to specific thermo paper.
- With a structure having additional back tension, paper meandering is prevented and winding feed is decreased.
- This molded product, which is light and compact, is easy to handle.



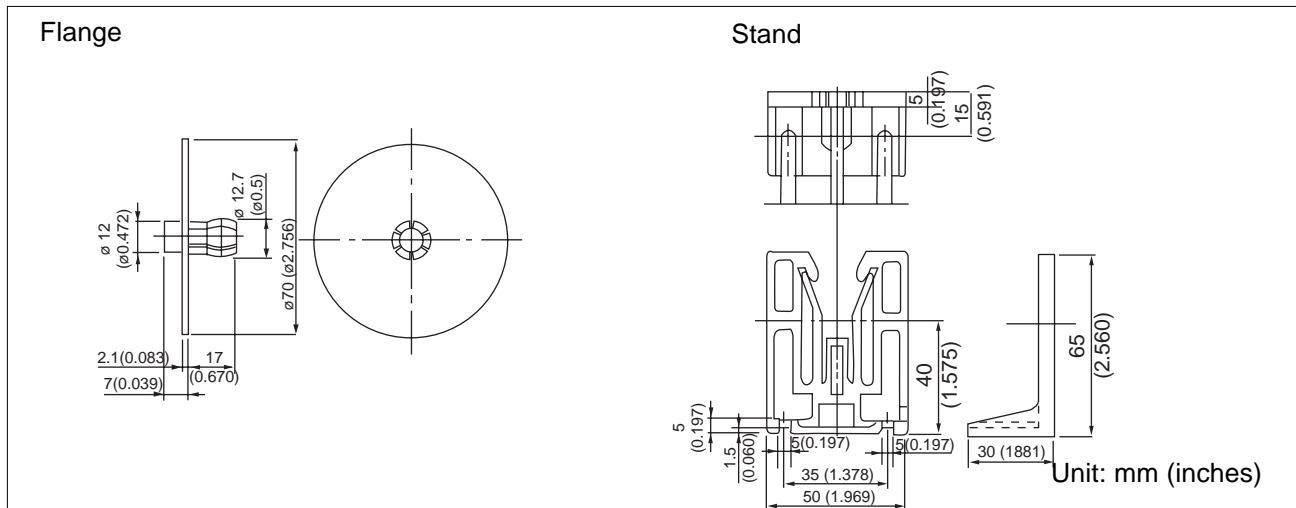
■ SPECIFIED PAPER

- This holder can be used for the following specified papers.

Ordering Part Number*		
FTP-020P0020	FTP-020PU001	FTP-020P001
FTP-030P0020	FTP-030PU001	
FTP-040P0020	FTP-040PU001	FTP-040P001

* Inner diameter of core: $\varnothing 12.5 \pm 0.5$ mm (0.492 \pm 0.02 inches);
outer diameter of roll: $\varnothing 56$ mm (2.205 inches) maximum of
specified thermo paper.

■ DIMENSIONS



FTP-040HF/HS Holder Series

■ ORDERING PART NUMBERS

Flange: FTP-040HF

Stand: FTP-040HS

Note: For normal use, one flange and one stand are required at the left and right respectively.

Fujitsu Components International Headquarter Offices

Japan

Fujitsu Component Limited
Gotanda-Chuo Building
3-5, Higashigotanda 2-chome, Shinagawa-ku
Tokyo 141, Japan
Tel: (81-3) 5449-7010
Fax: (81-3) 5449-2626
Email: promothq@ft.ed.fujitsu.com
Web: www.fcl.fujitsu.com

North and South America

Fujitsu Components America, Inc.
250 E. Caribbean Drive
Sunnyvale, CA 94089 U.S.A.
Tel: (1-408) 745-4900
Fax: (1-408) 745-4970
Email: marcom@fcai.fujitsu.com
Web: www.fcai.fujitsu.com

Europe

Fujitsu Components Europe B.V.
Diamantlaan 25
2132 WV Hoofddorp
Netherlands
Tel: (31-23) 5560910
Fax: (31-23) 5560950
Email: info@fceu.fujitsu.com
Web: www.fceu.fujitsu.com

Asia Pacific

Fujitsu Components Asia Ltd.
102E Pasir Panjang Road
#04-01 Citilink Warehouse Complex
Singapore 118529
Tel: (65) 6375-8560
Fax: (65) 6273-3021
Email: fcal@fcal.fujitsu.com
www.fcal.fujitsu.com

© 2004 Fujitsu Components America, Inc. All company and product names are trademarks or registered trademarks of their respective owners. Rev. 11/15/2004.