

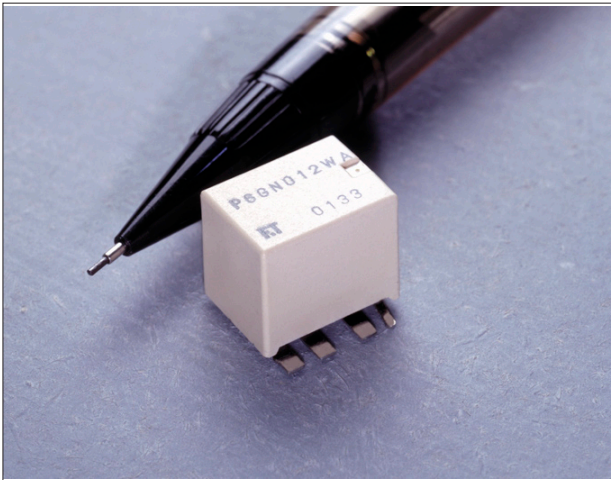
# MICRO SURFACE MOUNT RELAY 1 POLE—25 A (For Automotive Applications)

## FTR-P6 Series

RoHS Compliant

### ■ FEATURES

- Surface mount relays for automotive applications
- Miniature size (67% of the volume of FTR-P3 relays)
- High contact capacity with proven contact material (100,000 operations, 14V, 25A achieved even with reduced size).
- Coil power savings (800mW nominal achieved with state-of-the-art magnetic analysis design)
- Semi-quiet relay (average acoustic noise level: 60dB distance 5cm).
- RoHS Compliant since production



### ■ ORDERING INFORMATION

[Example]      FTR-P6    G    N    012    WA    \*\*  
                  (a)    (b)    (c)    (d)    (e)    (f)

(a)	Series Name	FTR-P6 : FTR-P6 Series
(b)	Contact Arrangement	G : 1 Form C
(c)	Contact Gap	N : 0.3 mm Gap
(d)	Nominal Voltage	010 : 10 VDC 012 : 12 VDC
(e)	Contact Material	WA : Silver-tin oxide alloy
(f)	Special product specification	Symbol to specify special specification product

Note: The part number on the relay cover does not include 'FTR'

Example:      Ordering part number: FTR-P6GN010WA  
                  Stamped part number: P6GN010WA

### ■ TYPICAL APPLICATIONS

Power window Door lock	Power seat Sun roof	Wiper
---------------------------	------------------------	-------

## ■ SPECIFICATIONS

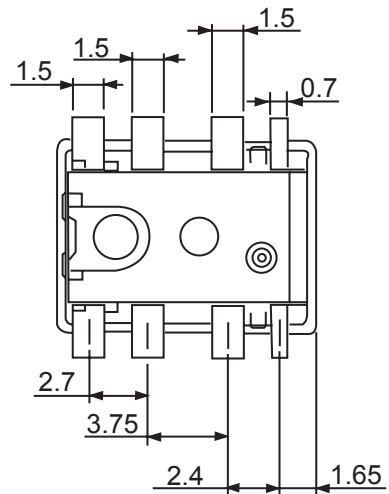
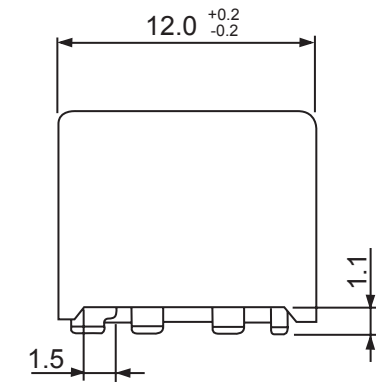
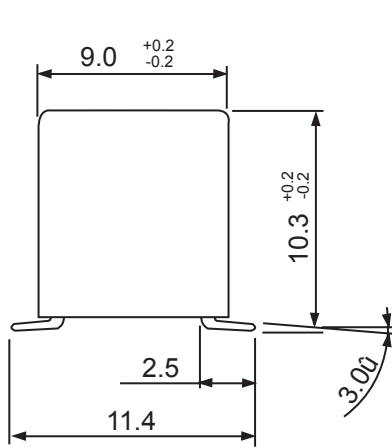
Item		Specification	
Contact	Arrangement	1 FormC	
	Material	Silver Oxide Tin-Indium	
	Contact rating	DC 14V, 25A (motor locked)	
	Maximum Carrying Current	25 A/ 1 hour (20° C, nominal voltage applied to coil)	
	Maximum Inrush Current	35 A	
	Contact Resistance	100mΩ maximum(at 6VDC, 1A after stabilization)	
	Minimum Switching Load (reference)	1A, 6VDC	
Coil	Coil Power Consumption	Approximately 0.8 W (at rated coil voltage)	
	Operating Temperature Range	-40° C to +85° C (no frost)	
	Storage Temperature Range	-40° C to +100° C (no frost)	
	Operating Humidity	45 to 85%RH	
Insulation	Initial resistance	100MΩ maximum at 500VDC	
	Dielectric withstanding voltage	500 VAC	
Time	Operate (at nominal voltage)	10 ms maximum	
	Release (at nominal voltage)	5 ms maximum	
Life	Mechanical	1x10 <sup>7</sup> operations minimum (with no load for contact)	
	Electrical	1x10 <sup>6</sup> operations minimum (14VDC 25A locked motor)	
Other	Vibration resistance	Misoperation	10-55Hz, 1.5mm double amplitude, 10 to 100Hz (45m/s <sup>2</sup> )
		Endurance	10 to 100Hz (45m/s <sup>2</sup> )
	Shock resistance	Misoperation	100 m/s <sup>2</sup> (11ms)
		Endurance	1000 m/s <sup>2</sup> (11ms)
	Weight	Approximately 3.3 grams	

## ■ COIL DATA CHART

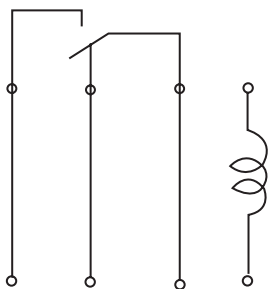
Model	Nominal Coil Voltage	Coil Resistance (±10% at 20° C)	Must Operate Voltage	Coil Power at Nominal Voltage
FTR-P6GN010WA	10VDC	135	6.3VDC (at 20° C) 7.9VDC (at 85° C)	0.8W
FTR-P6GN012WA	12VDC	180	7.3VDC (at 20° C) 9.2VDC (at 85° C)	0.8W

## ■ DIMENSIONS

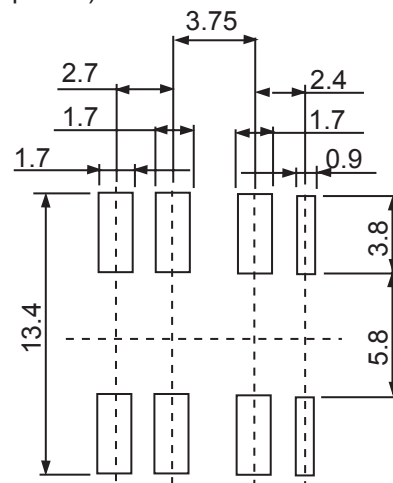
- Dimensions



- Schematic (bottom view)



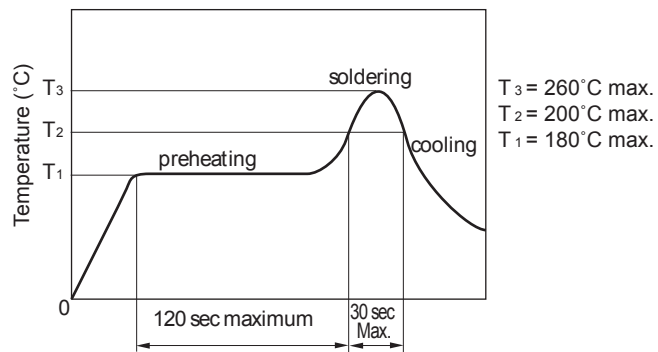
- PCB mounting hole layout (top view)



Unit: mm

## ■ REFERENCE DATA

- Temperature Profile



Note: Temperature profile shows temperature of PC board surface.

## Fujitsu Components International Headquarter Offices

### Japan

Fujitsu Component Limited  
Gotanda-Chuo Building  
3-5, Higashigotanda 2-chome, Shinagawa-ku  
Tokyo 141 8630, Japan  
Tel: (81-3) 5449-7010  
Fax: (81-3) 5449-2626  
Email: [promothq@fcl.fujitsu.com](mailto:promothq@fcl.fujitsu.com)  
Web: [www.fcl.fujitsu.com](http://www.fcl.fujitsu.com)

### North and South America

Fujitsu Components America, Inc.  
250 E. Caribbean Drive  
Sunnyvale, CA 94089 U.S.A.  
Tel: (1-408) 745-4900  
Fax: (1-408) 745-4970  
Email: [components@us.fujitsu.com](mailto:components@us.fujitsu.com)  
Web: <http://www.fujitsu.com/us/services/edevice/components/>

### Europe

Fujitsu Components Europe B.V.  
Diamantlaan 25  
2132 WV Hoofddorp  
Netherlands  
Tel: (31-23) 5560910  
Fax: (31-23) 5560950  
Email: [info@fceu.fujitsu.com](mailto:info@fceu.fujitsu.com)  
Web: [emea.fujitsu.com/components/](http://emea.fujitsu.com/components/)

### Asia Pacific

Fujitsu Components Asia Ltd.  
102E Pasir Panjang Road  
#01-01 Citilink Warehouse Complex  
Singapore 118529  
Tel: (65) 6375-8560  
Fax: (65) 6273-3021  
Email: [fcal@fcal.fujitsu.com](mailto:fcal@fcal.fujitsu.com)  
Web: <http://www.fujitsu.com/sg/services/micro/components/>

©2006 Fujitsu Components America, Inc. All rights reserved. All trademarks or registered trademarks are the property of their respective owners.

Fujitsu Components America or its affiliates do not warrant that the content of datasheet is error free. In a continuing effort to improve our products Fujitsu Components America, Inc. or its affiliates reserve the right to change specifications/datasheets without prior notice.  
Rev. November 30/2006.