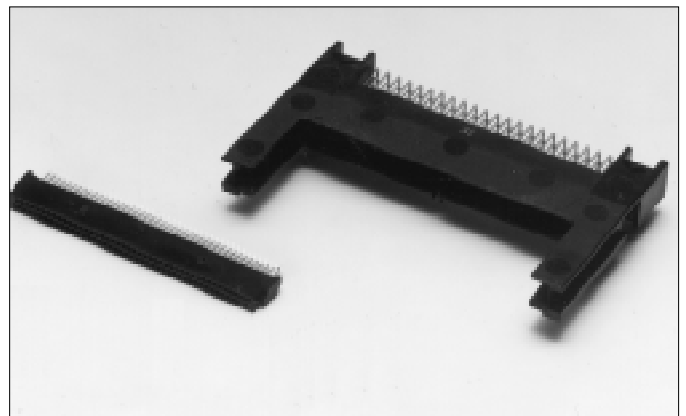


# MEMORY CARD CONNECTORS (JEIDA CONFORMABLE)

## 560H SERIES DRAM CARD CONFORMING TO Ver. 1

### ■ FEATURES

- These connectors conform to the Japan Electronic Industry Development Association (JEIDA) DRAM card Ver. 1.0 and Joint Electron Device Engineering Council (JEDEC) standards for 88 pin connectors.
- Contact pitch of 1.0 mm (0.039 in.) x 1.27 mm (0.050 in.). Contacts are arranged in a staggered placement. Incorrect insertion can be prevented. Hot system plugging is possible.
- A raised mounting type connector (under which components with a height of 4.5 mm (0.177 in.) maximum can be mounted) is also available.
- The socket is of the SMT type. It is a straddle-type socket for PC board double-sided mounting.



### ■ SPECIFICATIONS

Item	Specification
Operating temperature range	- 55°C to + 85°C
Current rating	DC 0.5 A
Voltage rating	AC 250 V
Contact resistance	40 mΩ max (6 VDC, 0.1 A)
Insulation resistance	1000 MΩ min. (500 VDC)
Dielectric withstanding voltage	500 VAC for 1 minute
Insertion/withdrawal life	Industrial environment: 100 times Office environment: 200 times

### ■ MATERIALS

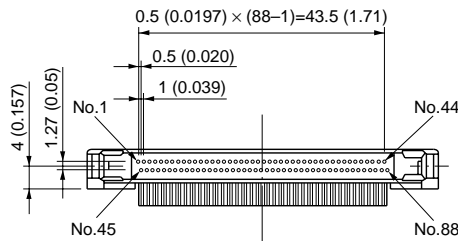
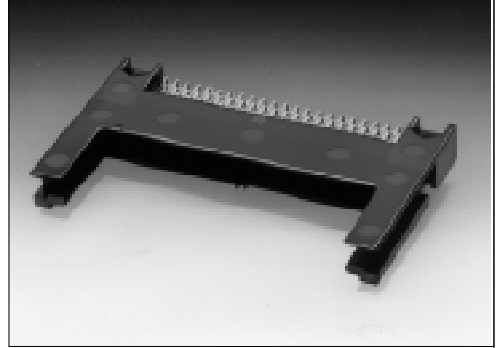
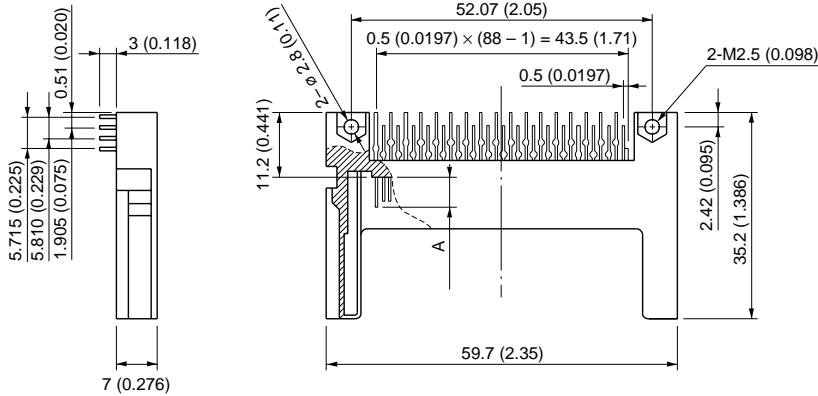
Item	Specification
Insulating material	Plug and socket: PPS (UL94V-0) Copper alloy
Conductor	Contact: Gold over palladium over nickel (PAGOS)
Plating	Terminal: Palladium

# 560H Series DRAM Card Ver. 1 Conformable

## RIGHT-ANGLE PLUG, THROUGH HOLE TYPE

### ■ DIMENSIONS

Part number: FCN-565R088-G/0

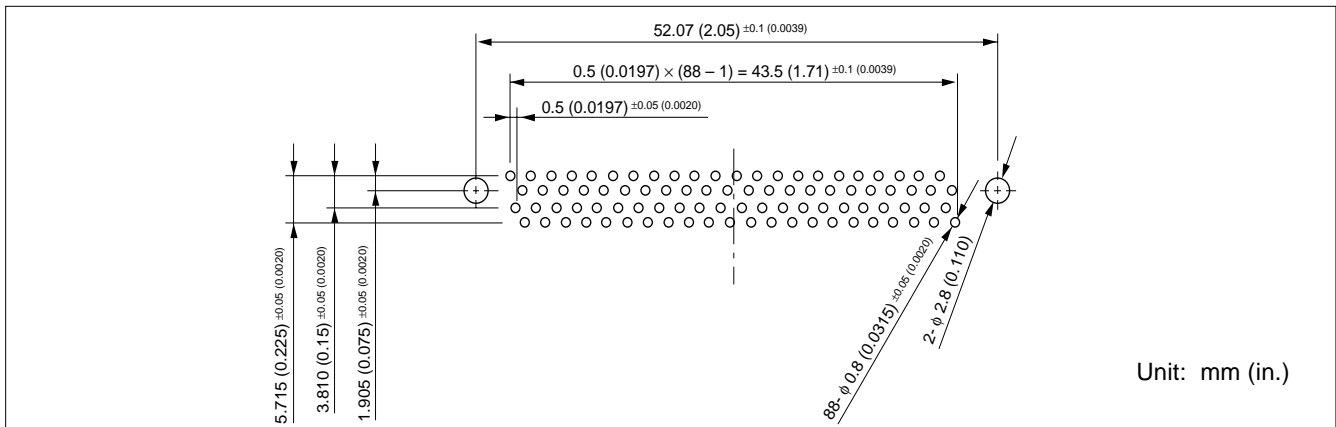


Pin No.	Dimension A	Remarks
1, 9, 11, 15, 17, 25, 27, 35, 37, 44, 45, 56, 63, 67, 73, 88	4.6 (0.181)	Power, ground
Other pins	3.8 (0.150)	Signal pins

A model with a guide is also available. Part number: FCN-565R088-G/034

Unit: mm (in.)

### ■ PC BOARD MOUNTING HOLE LAYOUT (MOUNTING SIDE)



Unit: mm (in.)

# 560H Series DRAM Card Ver. 1 Conformable

## Fujitsu Components International Headquarter Offices

### Japan

Fujitsu Component Limited  
Gotanda-Chuo Building  
3-5, Higashigotanda 2-chome, Shinagawa-ku  
Tokyo 141, Japan  
Tel: (81-3) 5449-7010  
Fax: (81-3) 5449-2626  
Email: [promothq@ft.ed.fujitsu.com](mailto:promothq@ft.ed.fujitsu.com)  
Web: [www.fcl.fujitsu.com](http://www.fcl.fujitsu.com)

### North and South America

Fujitsu Components America, Inc.  
250 E. Caribbean Drive  
Sunnyvale, CA 94089 U.S.A.  
Tel: (1-408) 745-4900  
Fax: (1-408) 745-4970  
Email: [marcom@fcai.fujitsu.com](mailto:marcom@fcai.fujitsu.com)  
Web: [www.fcai.fujitsu.com](http://www.fcai.fujitsu.com)

### Europe

Fujitsu Components Europe B.V.  
Diamantlaan 25  
2132 WV Hoofddorp  
Netherlands  
Tel: (31-23) 5560910  
Fax: (31-23) 5560950  
Email: [info.marketing@fceu.fujitsu.com](mailto:info.marketing@fceu.fujitsu.com)  
Web: [www.fceu.fujitsu.com](http://www.fceu.fujitsu.com)

### Asia Pacific

Fujitsu Components Asia Ltd.  
102E Pasir Panjang Road  
#04-01 Citilink Warehouse Complex  
Singapore 118529  
Tel: (65) 375-8560  
Fax: (65) 273-3021  
Email: [fcal@fcal.fujitsu.com](mailto:fcal@fcal.fujitsu.com)  
[www.fcal.fujitsu.com](http://www.fcal.fujitsu.com)

© 2001 Fujitsu Components America, Inc. All company and product names are trademarks or registered trademarks of their respective owners. Rev. 09/2001