

FOR BOARD-TO-BOARD CONNECTION

240 SERIES

■ FEATURES

- 1.27 mm (0.05 in.) pitch contact arrangement in two rows enables high-density mounting.
- Connectors with 48 to 256 contacts are available for various purposes. Connectors with board locks are also available.
- Bellows contacts ensure stable contact, preventing pins from bending. The bellows contacts also have excellent stability with repeated insertion and extraction.
- Tails are spaced in a four-row staggered arrangement (2.54 mm × 1.905 mm) (0.100 in. × 0.075 in.) for easy PC board design.
- Insulation is UL-approved (94V-0) and is washable.
- The series includes a four-row multi-contact type (192/256 contacts), SMT type (68/96 contacts), wide tapered type (straight plug: 96 contacts, right-angle plug: 48/68 contacts).



■ SPECIFICATIONS

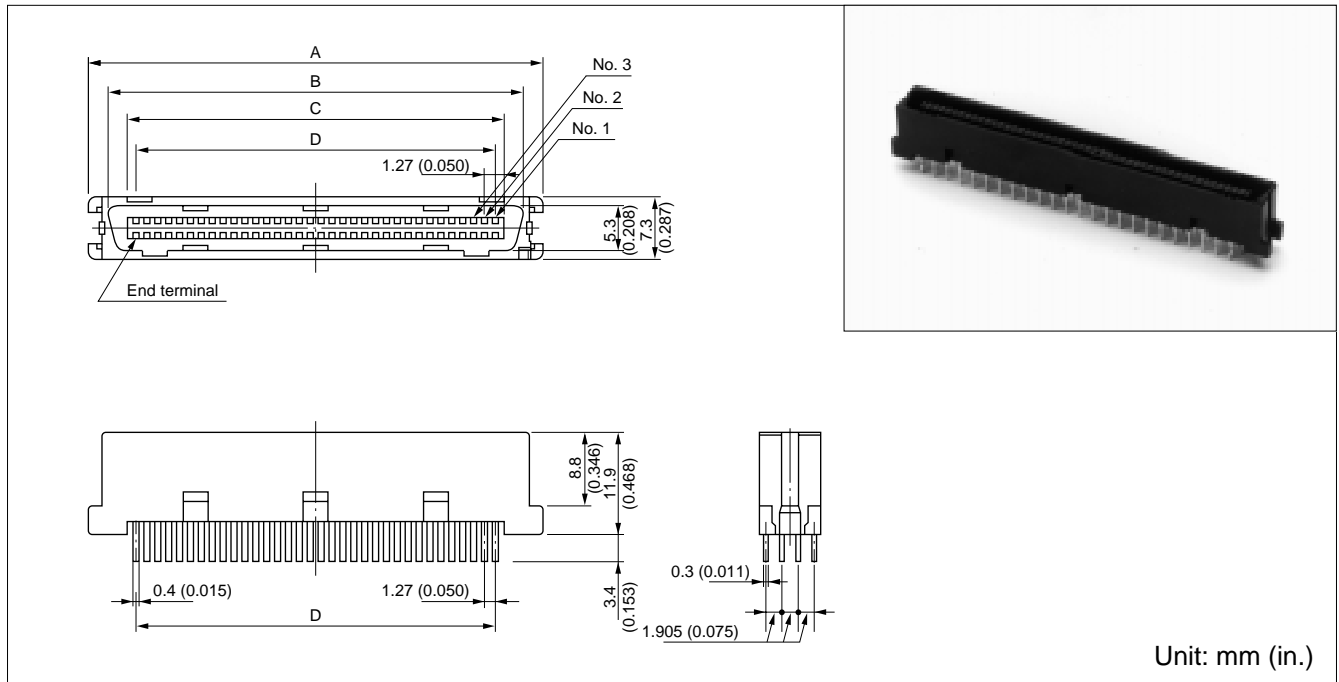
Item	Specifications							
Operating temperature range	-55°C to +105°C							
Current rating	DC 1 A							
Voltage rating	AC 240 V							
Contact resistance	35 mΩ max. (DC 6 V, 0.1 V)							
Insulation resistance	1000 MΩ min. (DC 500 V)							
Dielectric withstand voltage	AC 500 V for 1 minute							
Insertion force [kg max.]	Number of contacts	48	68	80	96	128	192	256
	Force	2.5	3.5	4.0	5.0	6.0	12.2	16.2
Withdrawal force [kg min.]	Number of contacts	48	68	80	96	128	192	256
	Force	0.4	0.6	0.65	0.7	0.9	2.22	2.97
Applicable PC board (standard)	1.6 mm (0.063 in.)							

■ MATERIALS

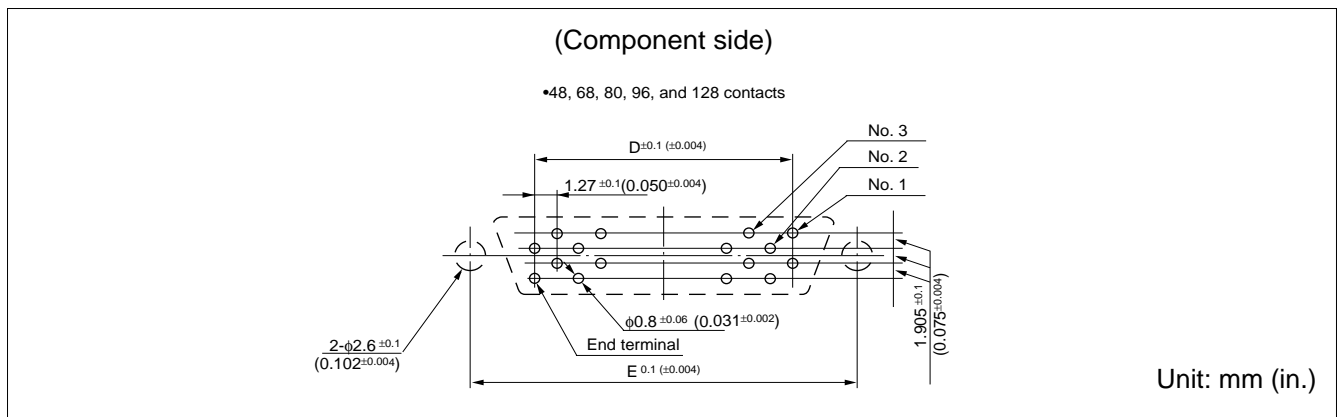
Item	Materials	
Insulator	Polyester (UL94V-0)	
Conductor	Copper alloy	
Plating	Contact	Gold plating
	Terminal	Palladium plating

STRAIGHT PLUG

■ DIMENSIONS



■ MOUNTING HOLE LAYOUT



Connectors without a board lock do not require the mounting holes of 2-φ2.6 mm (0.102 in.) at both ends.

■ PART NUMBERS AND DIMENSIONS

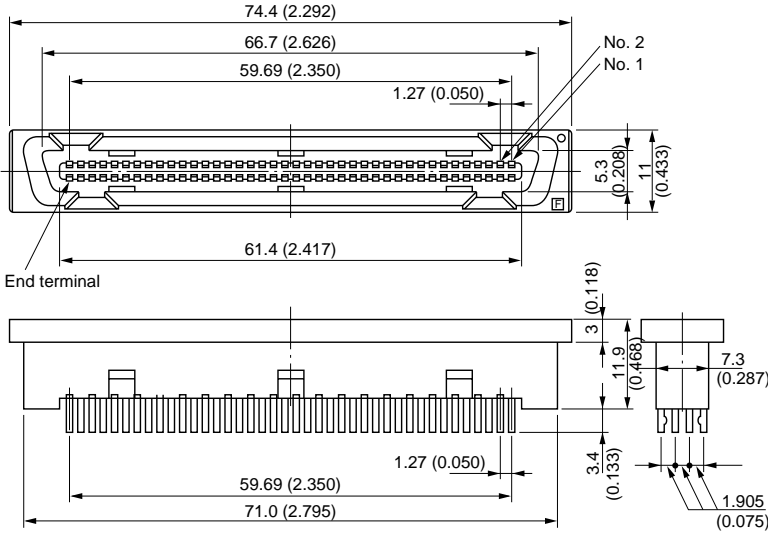
Number of contacts	Part number	Dimensions: mm (in.)				
		A	B	C	D	E
48	FCN-244Q048-G/0	40.52 (1.595)	36.22 (1.426)	30.92 (1.217)	29.21 (1.150)	38.10 (1.500)
68	FCN-244Q068-G/0	53.22 (2.095)	48.92 (1.926)	43.62 (1.717)	41.91 (1.650)	50.80 (2.000)
80	FCN-244Q080-G/0	60.84 (2.395)	56.54 (2.226)	51.24 (2.017)	49.53 (1.950)	58.42 (2.300)
96	FCN-244Q096-G/0	71.00 (2.795)	66.70 (2.626)	61.40 (2.417)	59.69 (2.350)	68.58 (2.700)
128	FCN-244Q128-G/0	91.32 (3.595)	87.02 (3.426)	81.72 (3.217)	80.01 (3.150)	88.90 (3.500)

Connectors with board lock brackets are also available. Specify a part number by replacing -G/0 at the end with -G/A.

STRAIGHT PLUG (SELF ALIGNING FEATURE)

■ DIMENSIONS

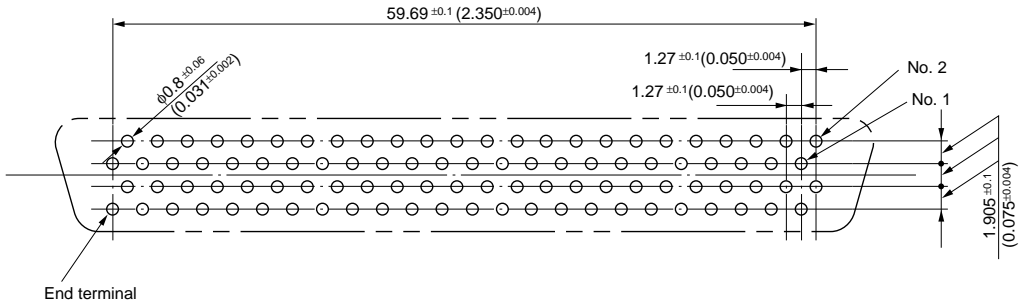
Part number: FCN-244Q096-G/F
 Number of contacts: 96 contacts



Unit: mm (in.)

■ MOUNTING HOLE LAYOUT

(Component side)



Unit: mm (in.)

Fujitsu Components International Headquarter Offices

Japan

Fujitsu Component Limited
Gotanda-Chuo Building
3-5, Higashigotanda 2-chome, Shinagawa-ku
Tokyo 141, Japan
Tel: (81-3) 5449-7010
Fax: (81-3) 5449-2626
Email: promothq@ft.ed.fujitsu.com
Web: www.fcl.fujitsu.com

North and South America

Fujitsu Components America, Inc.
250 E. Caribbean Drive
Sunnyvale, CA 94089 U.S.A.
Tel: (1-408) 745-4900
Fax: (1-408) 745-4970
Email: marcom@fcai.fujitsu.com
Web: www.fcai.fujitsu.com

Europe

Fujitsu Components Europe B.V.
Diamantlaan 25
2132 WV Hoofddorp
Netherlands
Tel: (31-23) 5560910
Fax: (31-23) 5560950
Email: info.marketing@fceu.fujitsu.com
Web: www.fceu.fujitsu.com

Asia Pacific

Fujitsu Components Asia Ltd.
102E Pasir Panjang Road
#04-01 Citilink Warehouse Complex
Singapore 118529
Tel: (65) 375-8560
Fax: (65) 273-3021
Email: fcal@fcal.fujitsu.com
www.fcal.fujitsu.com

© 2001 Fujitsu Components America, Inc. All company and product names are trademarks or registered trademarks of their respective owners. Rev. 09/2001